

Ventilation Equipment 304 S/S Wall Hood+Filters 1600X1400mm

ITEM # _____

MODEL # _____

NAME # _____

SIS # _____

AIA # _____


642166 (BP1416DT)

304 stainless steel Wall Hood with filters

Short Form Specification

Item No. _____

Constructed in 304 AISI stainless steel. Equipped with labyrinth filters in 304 AISI stainless steel, blind panels in 304 AISI stainless steel, grease collecting trough all around and condensate collecting tray.

Main Features

- External panels with upturned edges to avoid injuries.
- Prearranged for installation of lighting.
- Low noise level.

Construction

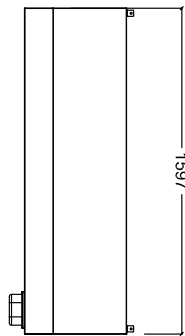
- Eyebolts and screw anchors for ceiling installation.
- 304 AISI stainless steel condensation collection tray.
- Labyrinth filters guarantee constant filtration to avoid clogging and to protect against fire.
- 304 AISI stainless steel blind panels for a correct exhaustion.
- Outlet holes are sized in order to minimize drops in pressure.
- Perimetral gutter with drain hole to transfer grease into a 304 AISI container.
- Entirely constructed in 304 AISI stainless steel.
- 304 AISI stainless steel labyrinth filters easily removable for cleaning.

Optional Accessories

- Speed Variator for motors up to 1,17 kW PNC 640076
- Drain for hoods, diam.1/2" (m), PNC 640409 with plug

APPROVAL: _____

Front

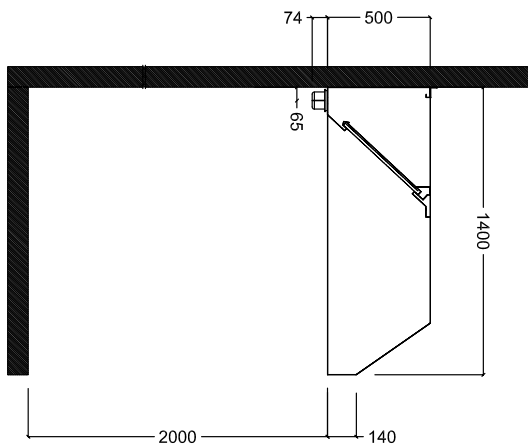

Key Information:

External dimensions, Width:	
642166 (BP1416DT)	1600 mm
External dimensions, Depth:	1400 mm
External dimensions, Height:	500 mm
Net weight:	46 kg

Air Emission:

Air capacity:	2900 mc/h
---------------	-----------

Side



Top

